

INTERNATIONAL® eMV™ SERIES BODY INTEGRATION SPECS



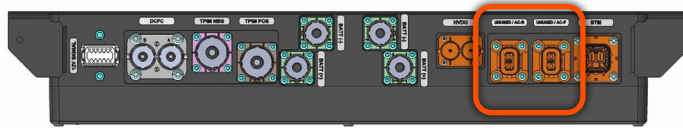
Factory-installed eMV™ Series Body Power Options

The International® eMV™ Series truck now offers ePower and ePTO options that use the propulsive batteries to power a wide range of body applications. From a simple plug in, to an electric motor SAE-B flange, you now have the muscle needed to get the job done!



ePOWER ELECTRICAL SYSTEM

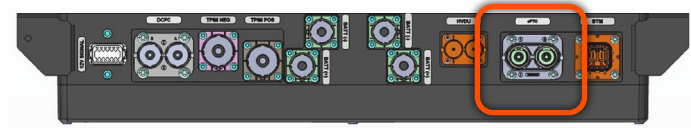
- ▶ High Voltage - 210kWh Lithium Iron Phosphate with dedicated HVAC system
- ▶ 608 Volt operating Voltage
- ▶ 20kW x2 Connections
 - TE HVA280 Connectors
- ▶ Typical applications:
 - Refrigerator
 - Shredder



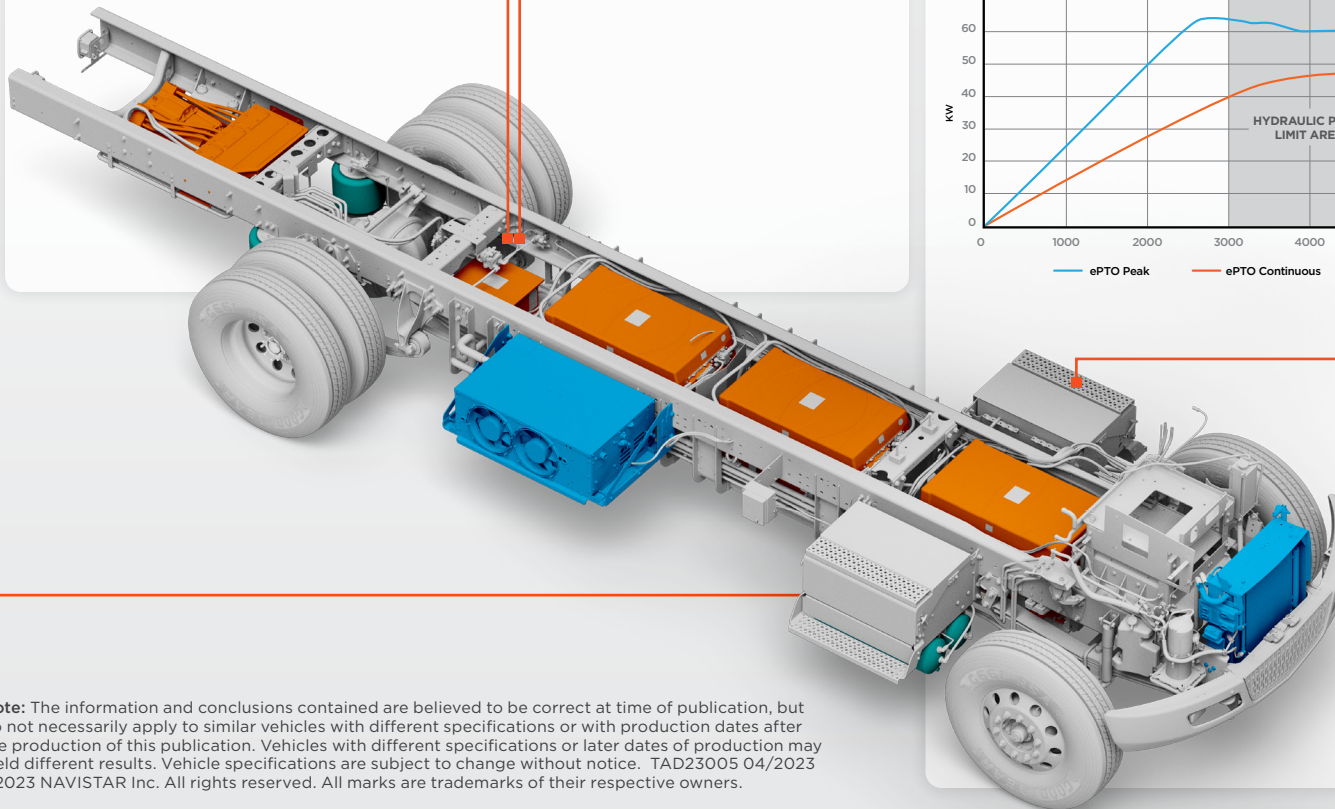
Dual Connections

ePTO ELECTRICAL SYSTEM

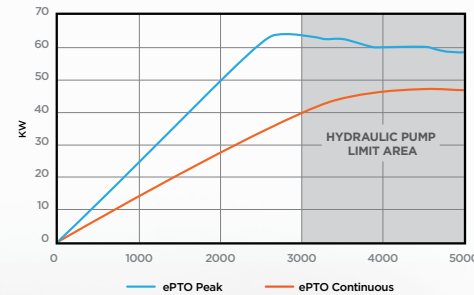
- ▶ High Voltage - 210 kWh Lithium Iron Phosphate with dedicated HVAC system
- ▶ 608 Volt operating Voltage
- ▶ Amphenol Powerlok Gen2
- ▶ Typical applications:
 - Utility
 - Dump



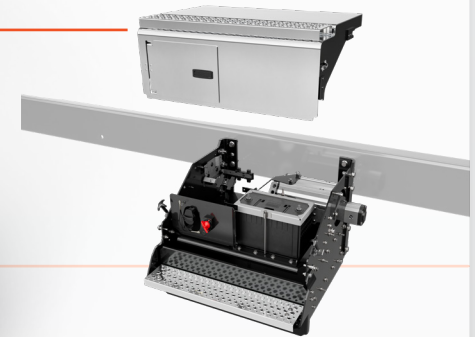
Single Connector



ePTO MECHANICAL SYSTEM



- ▶ 40 kW¹ Minimum Continuous Power Operation
- ▶ 60 kW Maximum Peak Power Operation



Note: The information and conclusions contained are believed to be correct at time of publication, but do not necessarily apply to similar vehicles with different specifications or with production dates after the production of this publication. Vehicles with different specifications or later dates of production may yield different results. Vehicle specifications are subject to change without notice. TAD23005 04/2023 ©2023 NAVISTAR Inc. All rights reserved. All marks are trademarks of their respective owners.

¹Assumes 3,000 rpm hydraulic system limit